

Wind Turbine Charge Controller Quick User Manual

The charge controller operation based on the measurement of Battery Voltage. When the battery voltage level is over the ADJUSTED VOLTAGE LEVEL, then the output of the Wind Turbine directed into the Resistances as Dump Load Controller.

The resistances work with 3 Phase AC line of the Wind Turbine, So it does not necessary to use another Blocking Diode between the Battery and Charge Controllers DC Output.

Two cards for the control of Charge Controller:

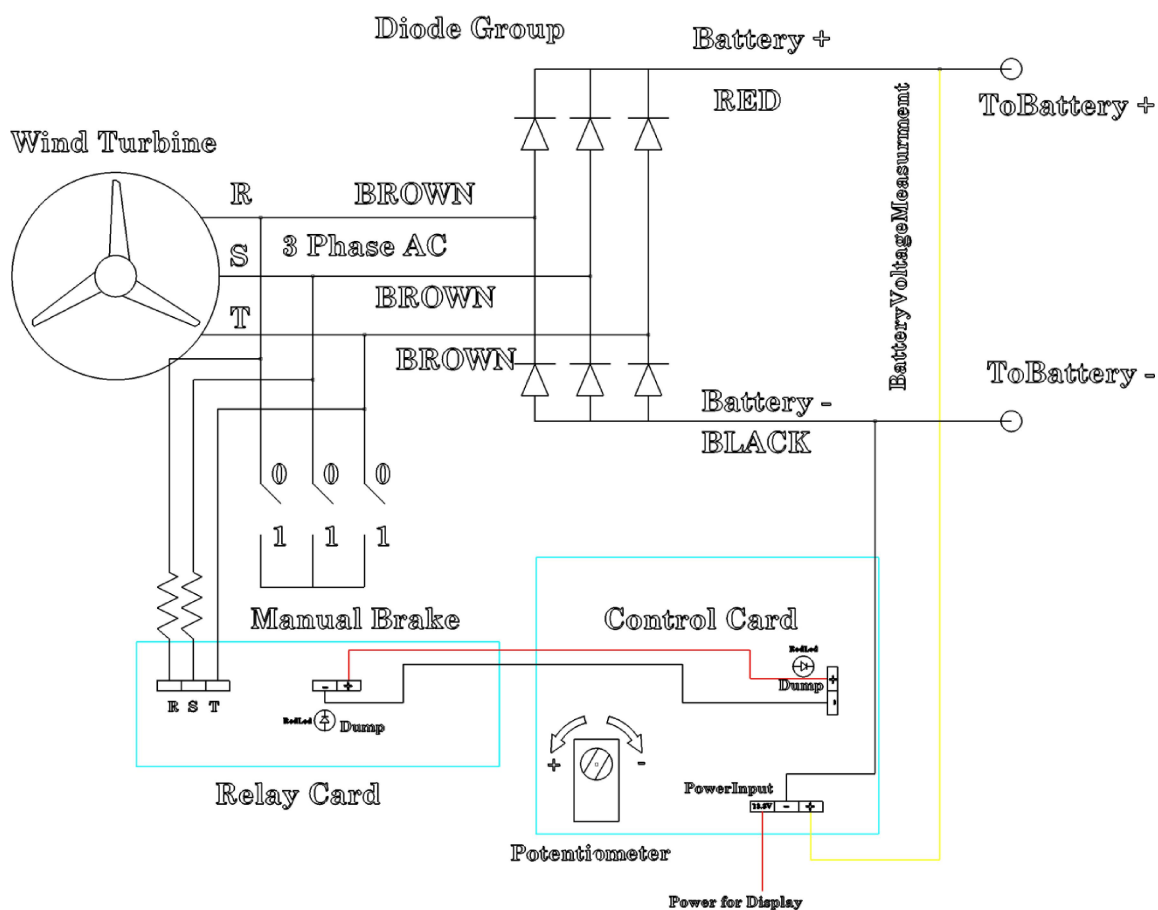
1. Control Card (Below the Cover)
2. Relay Card (At the lower floor of Charge Controller which is Aluminum Cooler Connected)

Battery Voltage Charge Level adjustment can be done with the Control Card. The Blue Potentiometer at the Lower Left Corner of Control Cards, be used for adjustment. The adjustment of Battery Voltage Level done with the Adjustment Knob over Lower Left Corner of the Control Card. CCW rotation increases the adjustment voltage, CW rotation decreases the adjustment voltage.

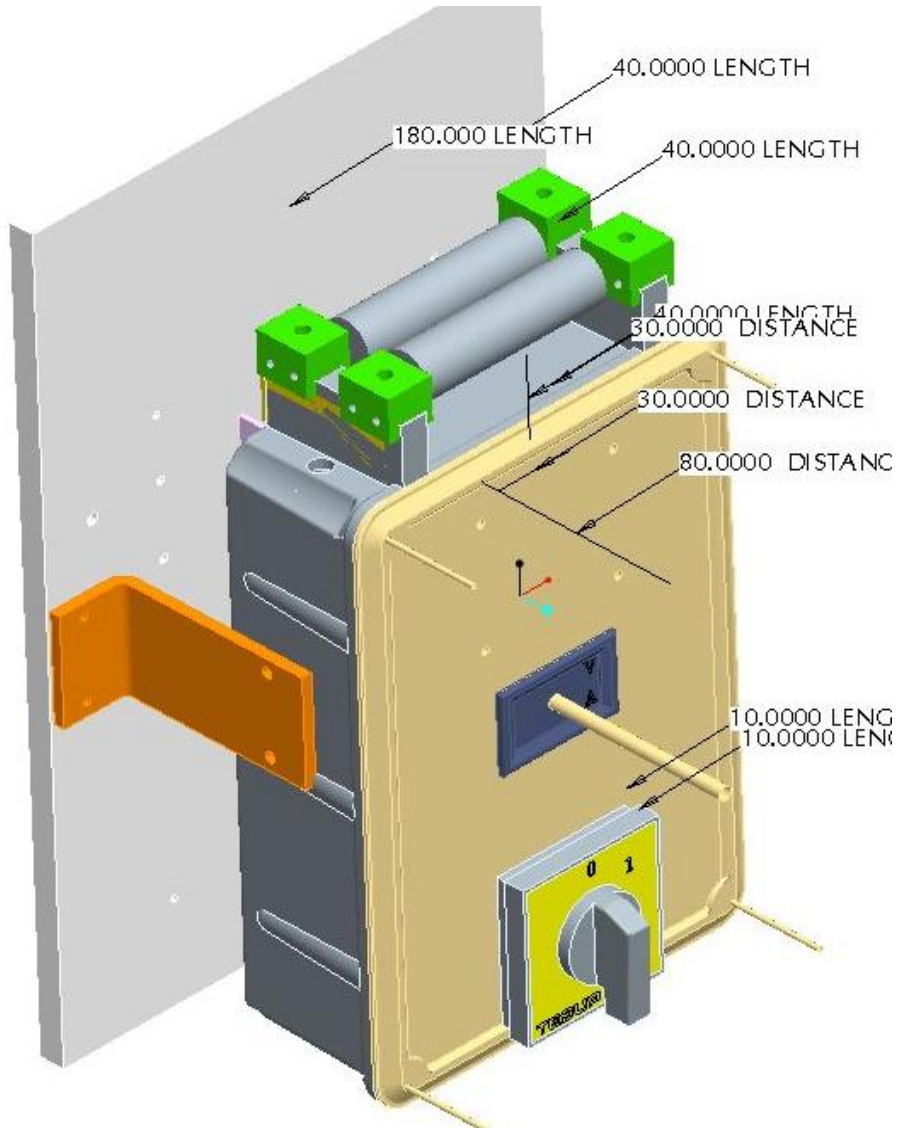
The recommended levels for

12 Volt System	24 Volt System	48 Volt System
13,80...14,2 Volt	27,6...28,4 Volt	55,2...56,80 Volt

Electrical Connection Diagram



Wall Connection Apparatus



Manual Brake Switch Position

